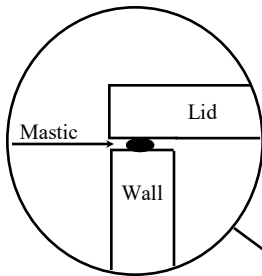


1500 – Gallon 2-Compartment Septic Tank

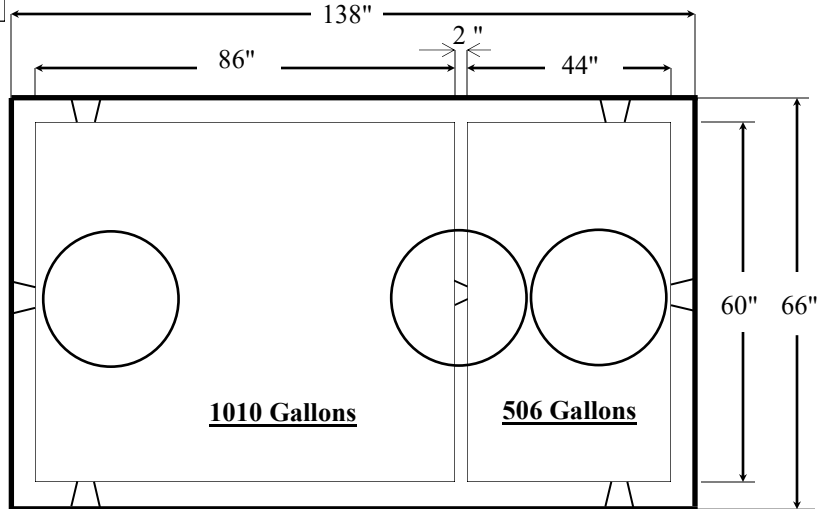
11,300 lbs

14,300 lbs w/ 8" cover

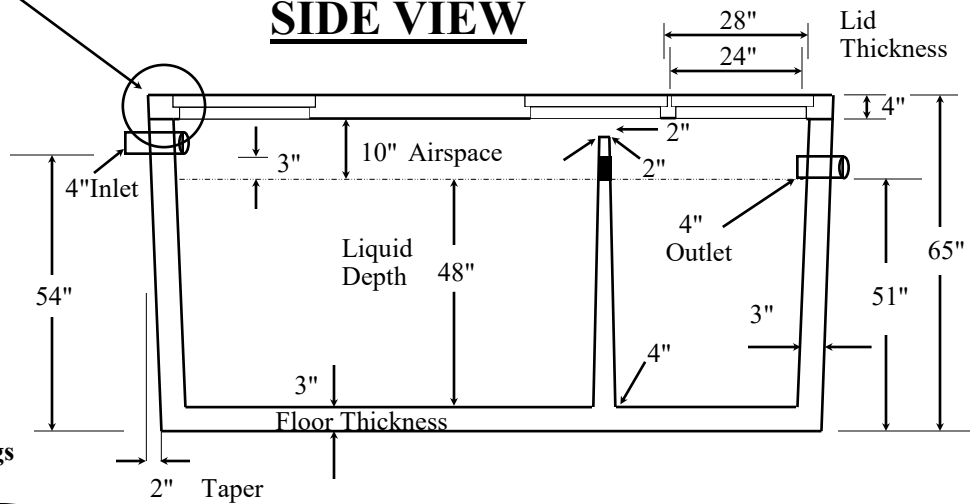
Enlarged Detail



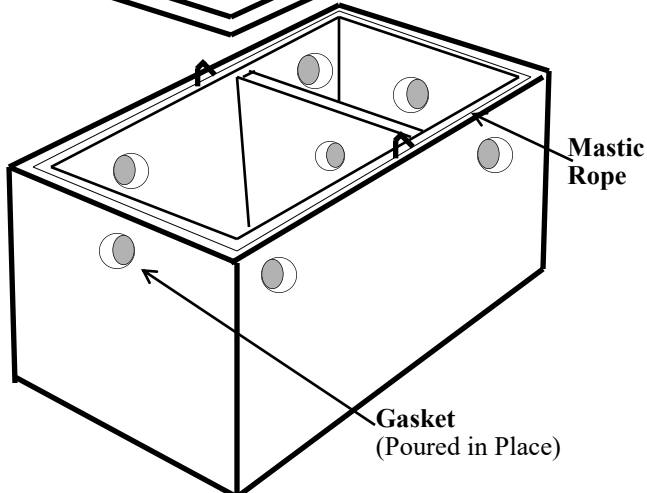
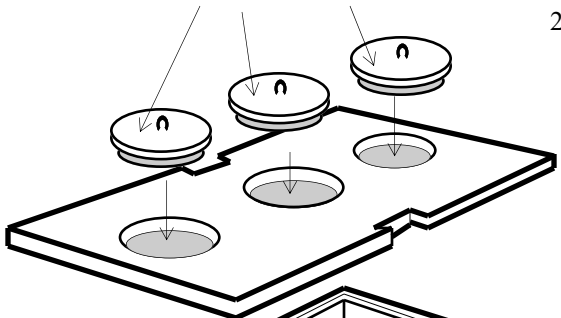
TOP VIEW



SIDE VIEW



Manhole Lids/Opening



4" Cover Weight: 3,000 lbs
8" Cover Weight: 6,000 lbs

4,000 psi concrete minimum after 28 days.
Design conforms with 310 CMR 15.00 DEP
Title 5 Regulations for septic tanks.
Reinforcement per ASTM C1227

1500 - Gallon 2-Compartment Septic Tank



978-939-5712 Ext 3