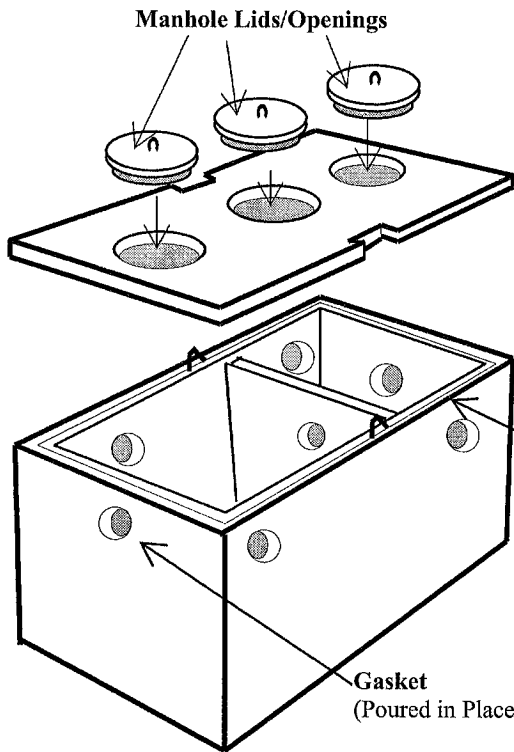
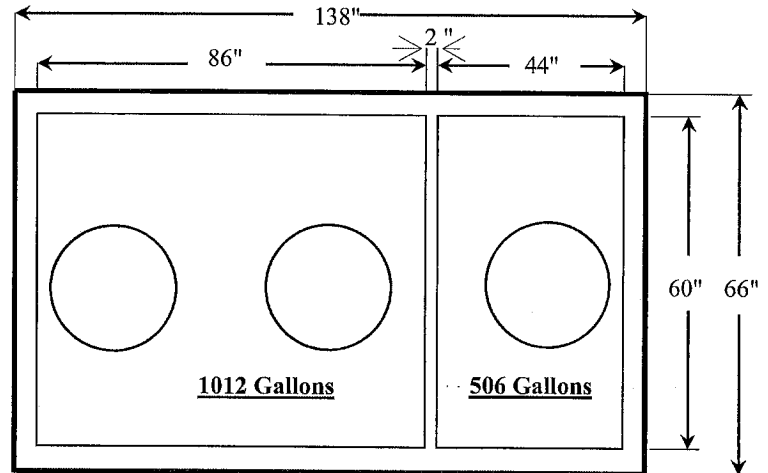


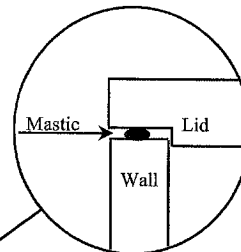
10,820 lbs.

TOP VIEW

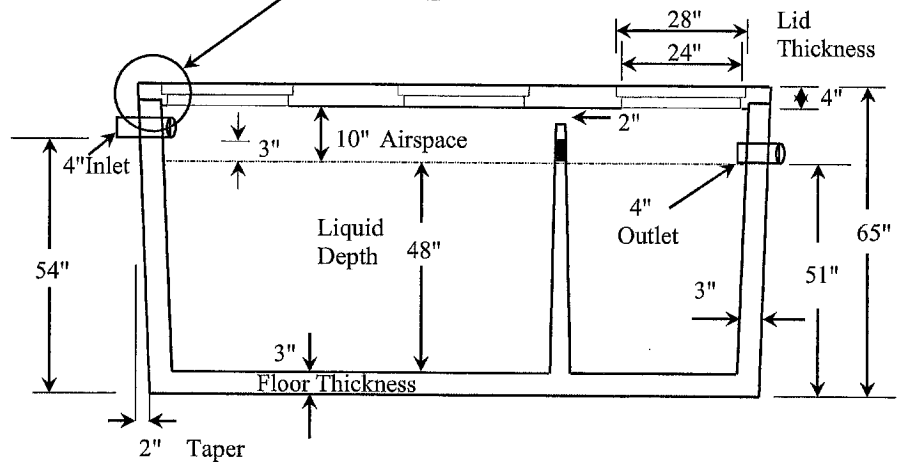


Mastic Rope

Enlarged Detail



SIDE VIEW



978-939-5717 ext. 3

www.gravesconcrete.com