



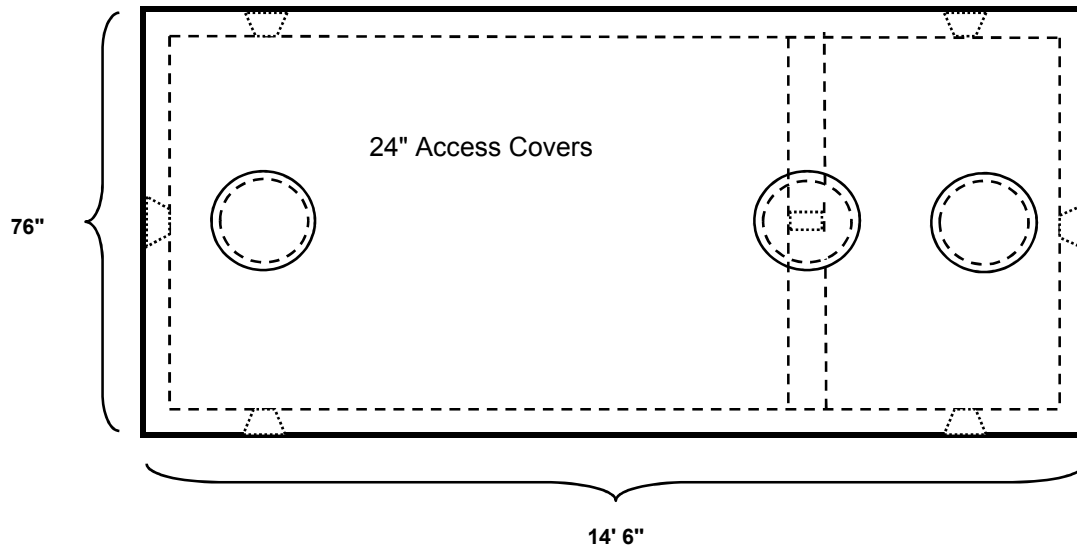
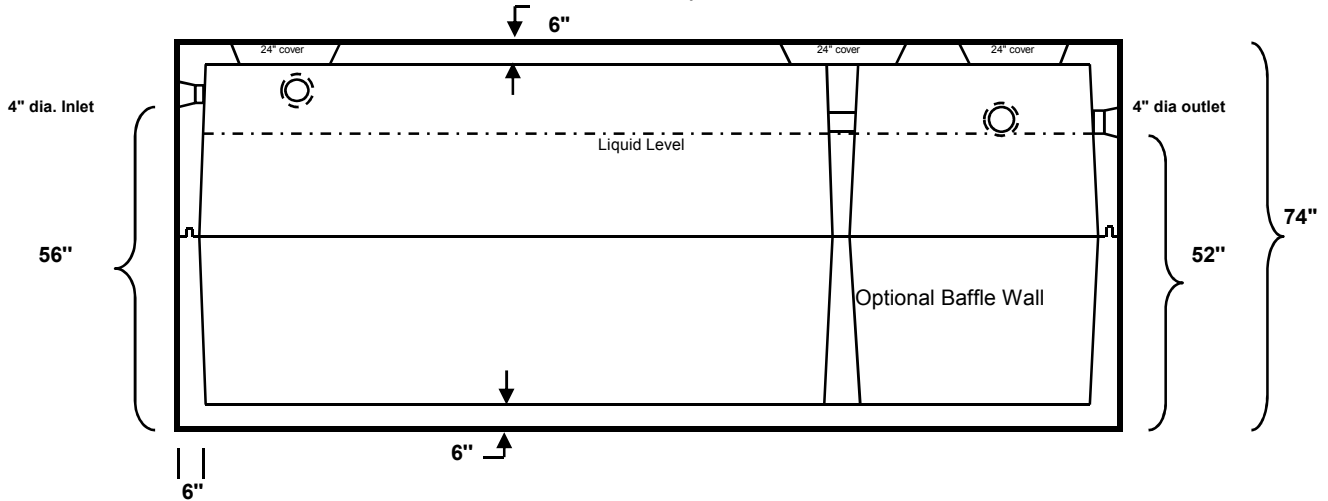
GRAVES CONCRETE

978-939-2800 Ext. 3

2000 Gallon, Two Compartment Septic Tanks 1500 / 500

2000 Gallon, One Compartment Septic Tanks

H2O Tank Specs.



H2O 28,800 #

Graves Concrete

PO Box 680, 149 Gardner Rd. E. Temoleton, MA. 01438

978-939-2800 ext. 3