

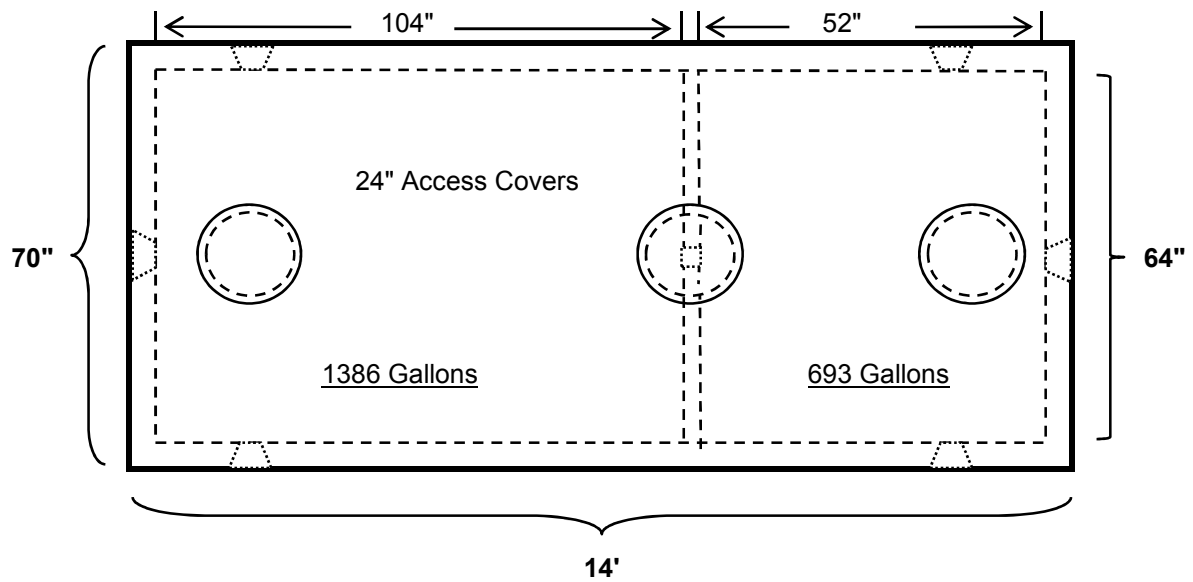
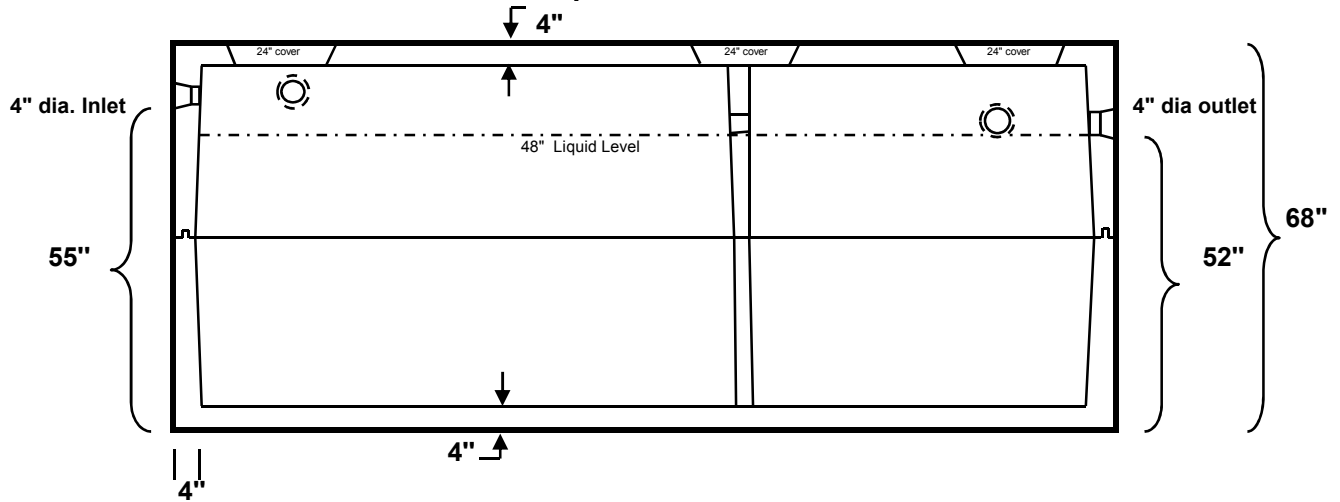


GRAVES CONCRETE

978-939-2800 Ext. 3

2000 Gallon H10 Septic Tank

2/3 - 1/3 Compartment 2 Piece Tank



H10 18,400 #
2/3 - 1/3 Compartments

Graves Concrete
PO Box 680, 149 Gardner Rd. E. Temoleton, MA. 01438
978-939-2800 ext. 3