



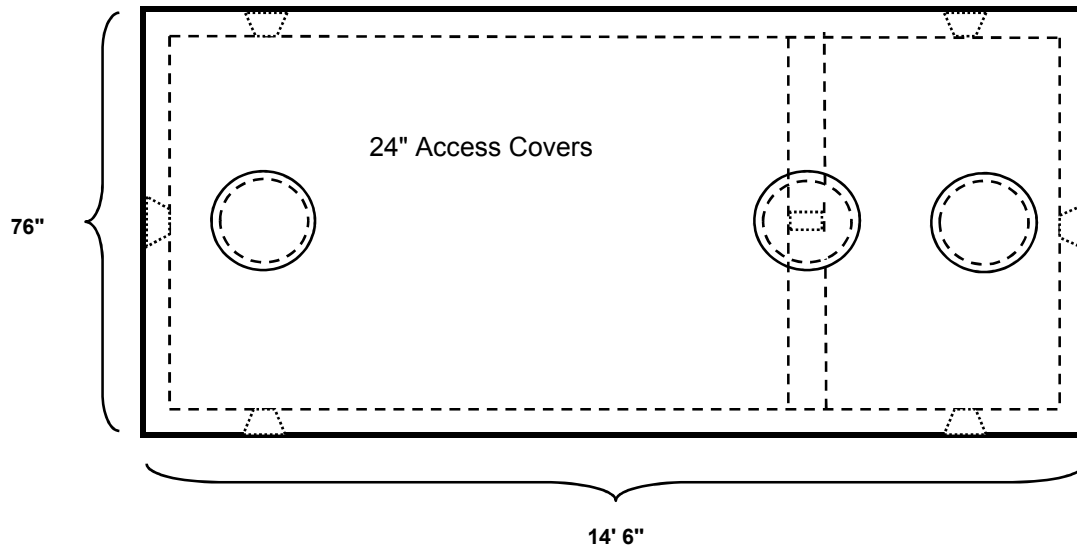
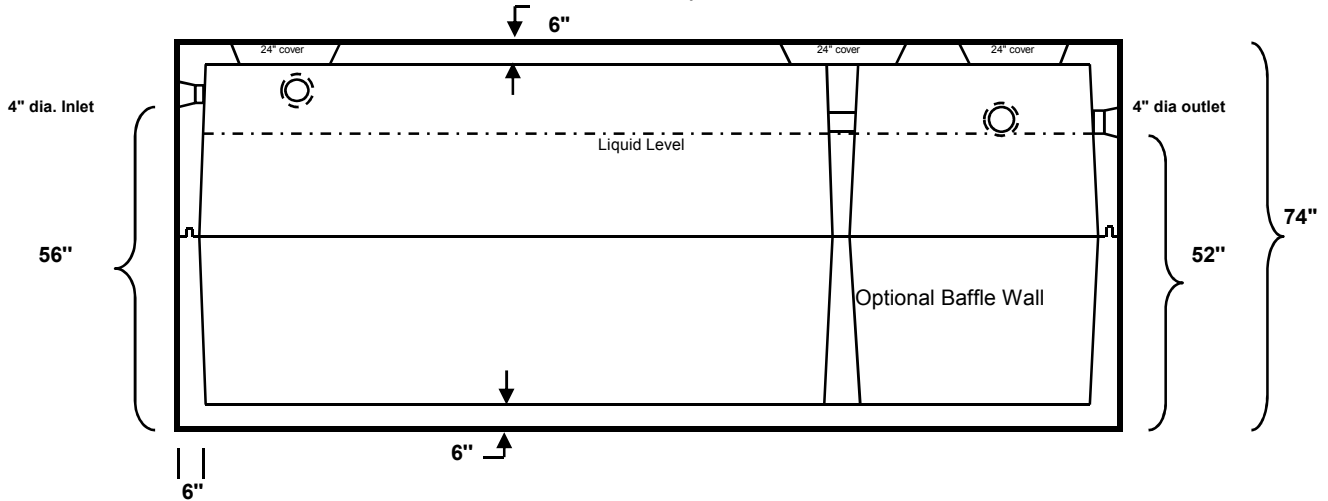
**GRAVES CONCRETE**

978-939-2800 Ext. 3

**2000 Gallon, Two Compartment Septic Tanks 1500 / 500**

**2000 Gallon, One Compartment Septic Tanks**

**H2O Tank Specs.**



**H2O 28,800 #**

**Graves Concrete**

PO Box 680, 149 Gardner Rd. E. Temoleton, MA. 01438

978-939-2800 ext. 3